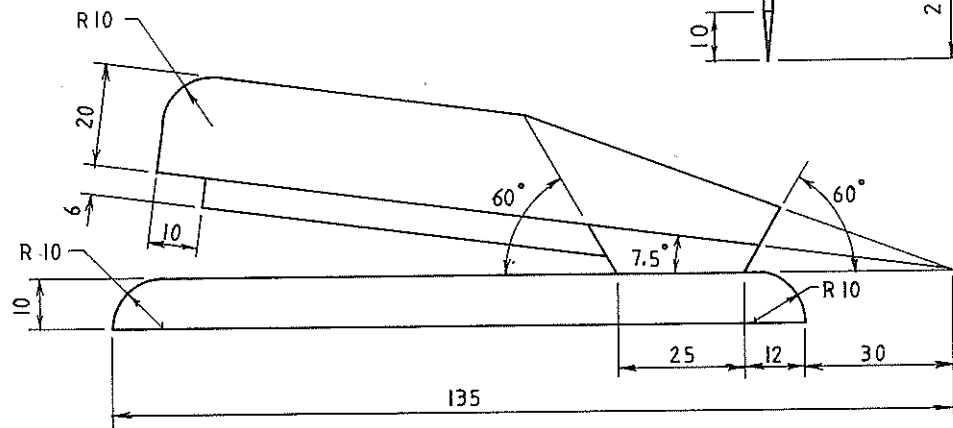
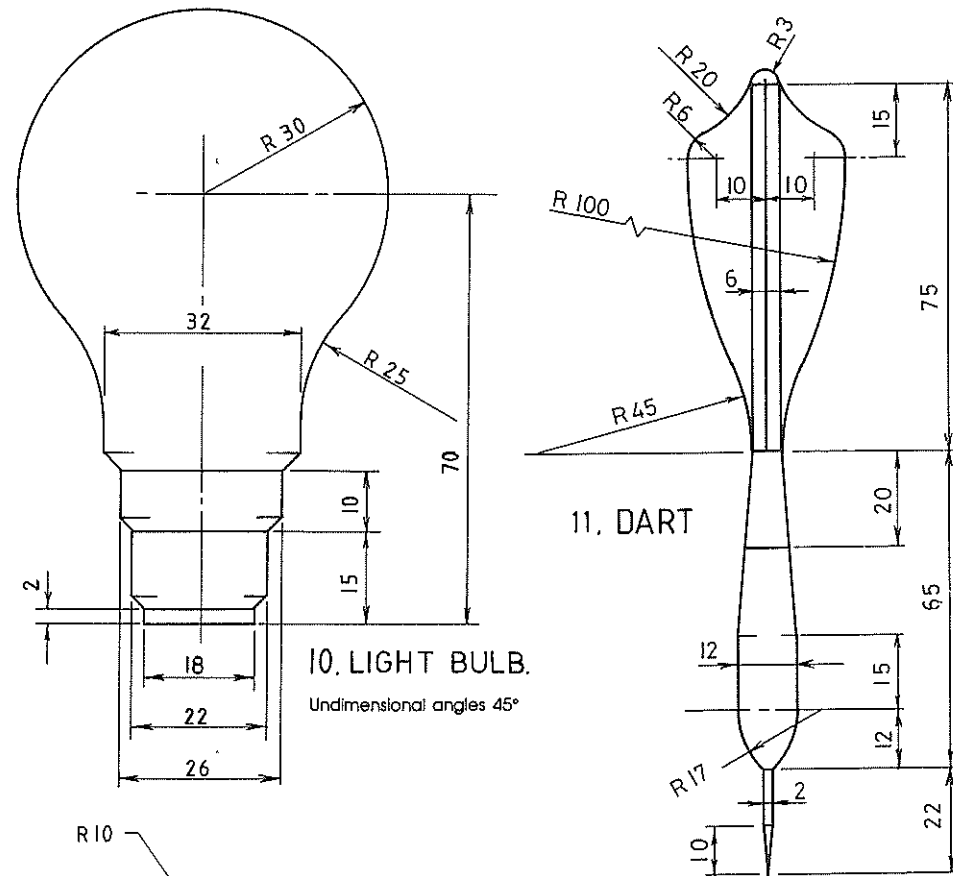


9. COMBINATION SQUARE



12. STAPLER